



Crimplok™ Connectors

Quick, easy installation and superior performance

To successfully design, install or operate today's fiber optic networks, you need components that offer speed and reliability – from the fiber itself all the way down to the connectors. That's why 3M developed a connector that combines the speed of non-adhesive connectors with the performance characteristics of epoxy and hot melt connectors. 3M™ Crimplok™ Connectors are the ideal solution for emergency restoration work or for quickly making fiber connections at the desk.

Crimplok connectors were designed to:

- Save time in installation
- Provide rugged, reliable performance, meeting or exceeding current EIA/TIA-568A specifications
- Install cleanly and simply with fewer parts and tools

Saves time

Available in both SC and ST*, single-mode and multimode connector versions, Crimplok connectors are faster to install than epoxy connectors since there is no set-up or curing time. And Crimplok connectors do not require special heating tools or ovens, so time spent searching for electrical outlets is eliminated. Polishing the connector is also a simple process that can be performed in seconds.

Provides reliable performance

The Crimplok connector incorporates proven 3M malleable metal element fiber gripping technology. There is no fiber splice or second joint inside the connector, so there is no added attenuation at the connection.

When the conformable metal element closes, it grips a length of the fiber, eliminating fiber movement associated with other crimp-style connectors. The strength of the metallic element ensures that Crimplok connectors meet industry standards for temperature and humidity.

The plastic buffer retention insert



3M Crimplok ST* Connector Multimode

1



3M Crimplok SC Connector Single-mode

2

also prevents fiber movement by gripping the buffer without crushing it when the crimp ring is crimped. On jacketed cable, the crimp ring also grips the Kevlar® strands and cable jacket to prevent the fiber connection from breaking when the cable is pulled.

The buffer retention insert and the crimp ring combine to ensure that Crimplok connectors perform extremely well and meet rigorous tensile strength requirements in building wiring applications.

Installs cleanly and simply

Preparing and installing Crimplok connectors is as simple as the concept behind them.

During installation the fiber passes through the back end of the connector, through the metallic element and extends beyond the end of the activation tool. Pressing the activation tool locking arm closes the metal element around the fiber. It's that simple.

The few tools required for installing a Crimplok connector can be conveniently stored in a small tool pouch.

Features	Benefits
Easy to install	Saves time
Meets EIA/TIA-568A specifications	Rugged, reliable performance
Non-adhesive design	Clean and simple terminations
Intermateability with standard connectors	Convenience; quick restoration of existing systems
No setup required	Saves time and money
Minimal tools required	Low-cost kit
No electricity required	Installation anywhere
Pre-radiused PC zirconia ceramic ferrule	Assured contact of fibers; stability through temperature change; quality performance

Crimplik 6900 SC Connector Multimode

Specifications¹

Attenuation @ 1300 nm (dB)	<0.2 typical (62.5/125 μm fiber)
Reflection (dB)	≤-29 typical
Operational temperature (cable dependent)	-10° to 60°C (14° to 140°F)
Storage temperature (unassembled connector)	-40° to 80°C (-40° to 176°F)

Environmental

Humidity	Max loss increase < 0.20 dB; Reflection < -25 dB
Cold	Max loss increase < 0.20 dB; Reflection < -25 dB
Temperature life	Max loss increase < 0.20 dB; Reflection < -25 dB

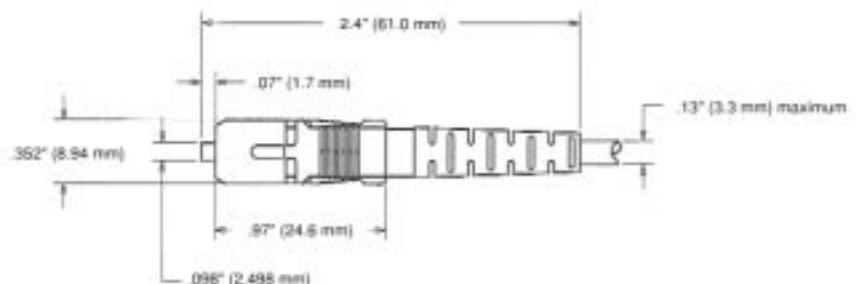
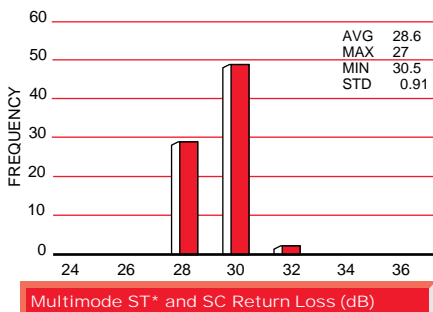
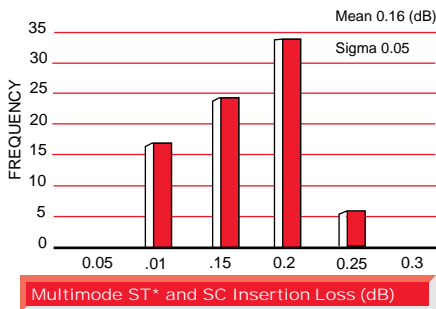
Mechanical

Impact	Mean loss 0.18 dB; Mean reflection -28 dB
Cyclic flex	Mean loss 0.16 dB; Mean reflection -28 dB
Twist	Mean loss 0.16 dB; Mean reflection -28 dB
Cable retention	Mean loss 0.16 dB; Mean reflection -28 dB
Mating durability 500 matings	<0.22 change

Materials

Connector ferrule	Zirconia ceramic
Connector body and housing	Thermoplastic polymer
Boot	Elastomeric resin
Identification	Black body, beige shell, black boot
Fiber size	125 μm multimode
Couplings	
Housing	Engineering thermoplastic
Sleeve	Ceramic

¹Note: Testing performed on cable assemblies with 3 mm jacketed cable and 900 μm buffered fiber.



Crimplok™ 6901 ST* Connector Multimode

Specifications¹

Attenuation @ 1300 nm (dB)	<0.2 typical
Reflection (dB)	≤-29 typical
Operational temperature	-10° to 60°C (14° to 140°F) (cable dependent)
Storage temperature	-40° to 80°C (-40° to 176°F) (unassembled connector)

Environmental

Humidity	Max loss increase < 0.20 dB; Reflection < -25 dB
Cold	Max loss increase < 0.20 dB; Reflection < -25 dB
Temperature life	Max loss increase < 0.20 dB; Reflection < -25 dB

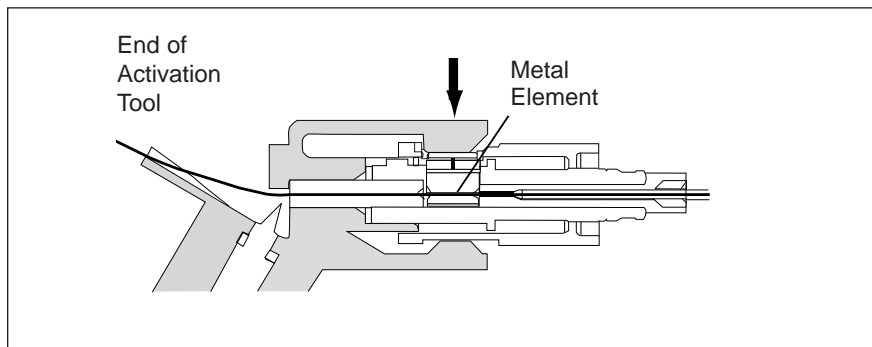
Mechanical

Impact	Mean loss 0.12 dB; Mean reflection -28 dB
Cyclic flex	Mean loss 0.11 dB; Mean reflection -28 dB
Twist	Mean loss 0.11 dB; Mean reflection -28 dB
Cable retention	Mean loss 0.12 dB; Mean reflection -27 dB
Mating durability 500 matings	<0.3 change

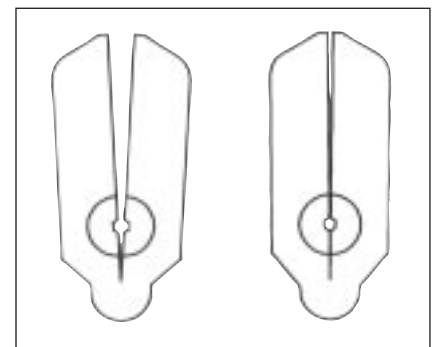
Materials

Connector ferrule	Zirconia ceramic
Connector body and housing	Thermoplastic polymer
Boot	Elastomeric resin
Identification	Black body, beige shell, beige boot
Fiber size	125 μm multimode
Couplings	
Housing	Nickel plated zinc
Sleeve	Phosphor bronze

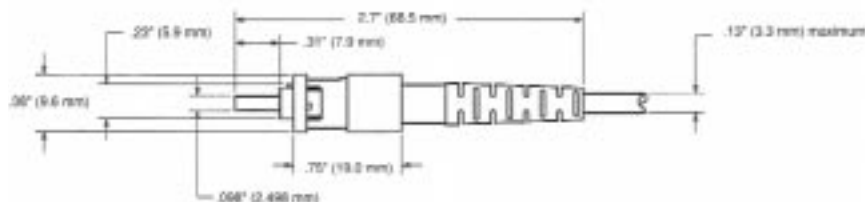
¹Note: Testing performed on cable assemblies with 3 mm jacketed cable and 900 μm buffered fiber.



The metal element closes around the fiber.



Malleable metal element assures a reliable connection.



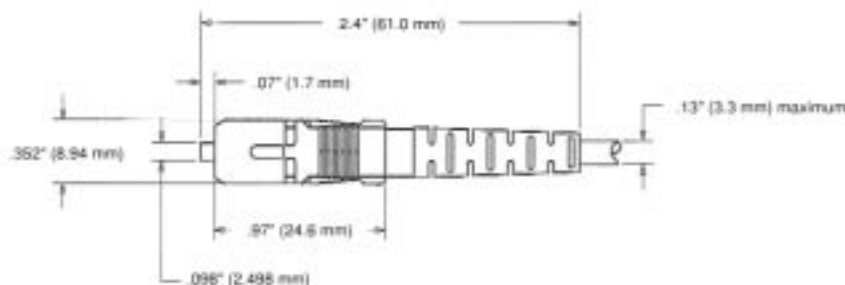
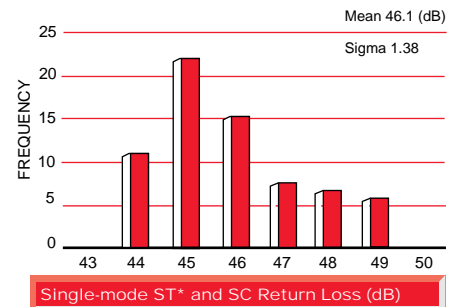
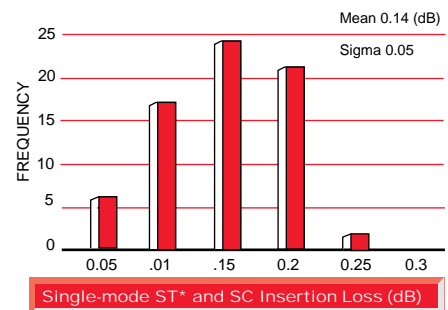
Crimplok™ Connectors

Features	Benefits
Installation in less than two minutes	Saves time
Meets EIA/TIA 568A specifications	Rugged, reliable performance
Non-adhesive design	Clean and simple terminations
Intermateability with standard connectors	Convenience; quick restoration of existing systems
No setup required	Saves time and money
Minimal tools required	Low-cost kit
No electricity required	Installation anywhere
Pre-radiused PC zirconia ceramic ferrule	Assured contact of fibers; stability through temperature change; quality performance

Crimplok™ 8900 SC Connector Single-mode

Specifications ¹	
Attenuation @ 1300 nm (dB)	<0.2 typical
Reflection (dB)	≤-40 dB typical
Operational temperature (cable dependent)	-10 to 60°C (14° to 140°F)
Storage temperature (unassembled connector)	-40° to 80°C (-40° to 176°F)
Environmental	
Humidity	Max loss increase < 0.20 dB; Reflection ≤ -40 dB
Cold	Max loss increase < 0.20 dB; Reflection ≤ -40 dB
Temperature life	Max loss increase < 0.20 dB; Reflection ≤ -40 dB
Mechanical	
Impact	Mean loss 0.18 dB; Mean reflection ≤ -40 dB
Cyclic flex	Mean loss 0.16 dB; Mean reflection ≤ -40 dB
Twist	Mean loss 0.16 dB; Mean reflection ≤ -40 dB
Cable retention	Mean loss 0.16 dB; Mean reflection ≤ -40 dB
Mating durability 500 matings	<0.22 change
Materials	
Connector ferrule	Zirconia ceramic
Connector body and housing	Thermoplastic polymer
Boot	Elastomeric resin
Identification	Black body, blue shell, black boot
Fiber size	125 μm single-mode
Couplings	
Housing	Engineering thermoplastic
Sleeve	Zirconia ceramic

¹Note: Testing performed on cable assemblies with 3 mm jacketed cable and 900 μm buffered fiber.



Crimplok™ 8901 ST* Connector Single-mode

Specifications¹

Attenuation @ 1300 nm (dB)	<0.2 typical
Reflection (dB)	≤ -40 dB typical
Operational temperature	-10° to 60°C (14° to 140°F) (cable dependent)
Storage temperature	-40° to 80°C (-40° to 176°F) (unassembled connector)

Environmental

Humidity	Max loss increase < 0.20 dB; Reflection ≤ -40 dB typical
Cold	Max loss increase < 0.20 dB; Reflection ≤ -40 dB typical
Temperature life	Max loss increase < 0.20 dB; Reflection ≤ -40 dB typical

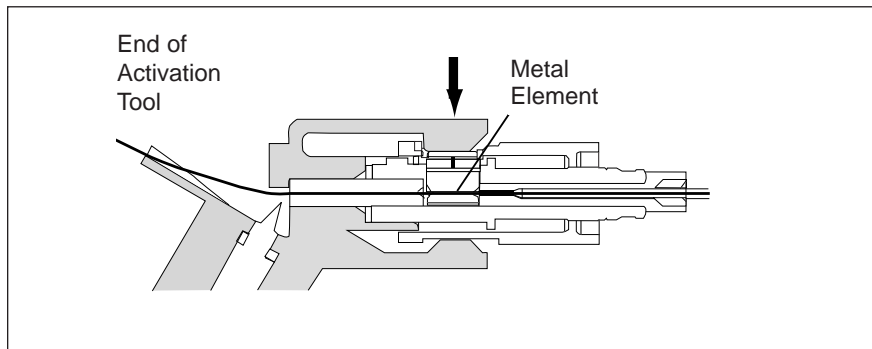
Mechanical

Impact	Mean loss 0.12 dB; Mean reflection ≤ -40 dB
Cyclic flex	Mean loss 0.11 dB; Mean reflection ≤ -40 dB
Twist	Mean loss 0.11 dB; Mean reflection ≤ -40 dB
Cable retention	Mean loss 0.12 dB; Mean reflection ≤ -40 dB
Mating durability 500 matings	<0.3 change

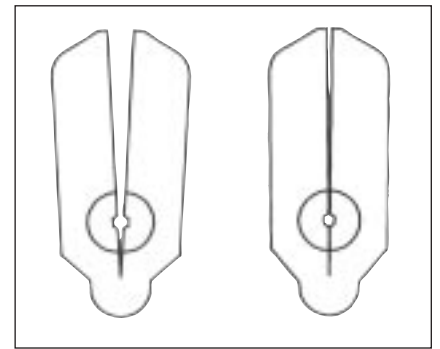
Materials

Connector ferrule	Zirconia ceramic
Connector body and housing	Thermoplastic polymer
Boot	Elastomeric resin
Identification	Black body, beige bayonet cap, blue boot
Fiber size	125 μm single-mode
Couplings	
Housing	Nickel plated zinc
Sleeve	Zirconia ceramic

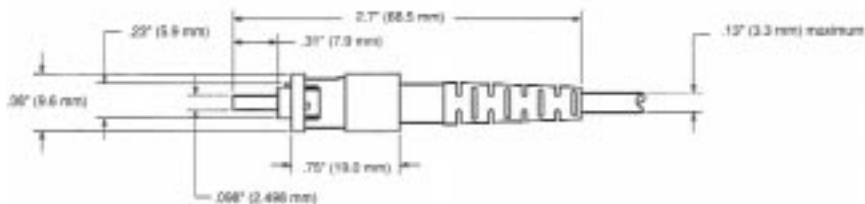
¹Note: Testing performed on cable assemblies with 3 mm jacketed cable and 900 μm buffered fiber.



The metal element closes around the fiber.



Malleable metal element assures a reliable connection.



3M™ Crimplok™ Connectors

Ordering Information

To order, specify the correct product number from the chart below. For more information, please contact your authorized 3M distributor or a 3M Telecom Systems Division sales representative at 800/426 8688.

Product #	Description	Packaging Order	Minimum
6900	Crimplok Connector, SC MM, 125 µm	1/bag, 60 bags/case	60 each
6901	Crimplok Connector, ST* MM, 125 µm	1/bag, 60 bags/case	60 each
6112	ST* Multimode Simplex Coupling	1/bag, 60 bags/case	60 each
6113	ST* Multimode Duplex Coupling	1/bag, 60 bags/case	60 each
6310	SC Simplex Coupling	1/bag, 60 bags/case	60 each
6313	SC Duplex Coupling	1/bag, 60 bags/case	60 each
6955	Crimplok Termination Kit	1/case	1 each
6955-T	Activation Tool, ST*/SC	1/case	1 each
8113	ST* Single-mode Duplex Coupling	1/bag, 60 bags/case	60 each
8119	ST* Single-mode Simplex Coupling	1/bag, 60 bags/case	60 each
8310	SC Single-mode Simplex Coupling	1/bag, 60 bags/case	60 each
8313	SC Single-mode Duplex Coupling	1/bag, 60 bags/case	60 each
8955	Crimplok SM Conversion Kit	1/case	1 each



6955-T Activation Tool 3



6955 Crimplok Termination Kit 4



Tools for the Crimplok Connector are stored in a small tool pouch. 5

3M and Crimplok are trademarks of 3M Co.
ST* is a trademark of Lucent Technologies
Kevlar is a registered trademark of E.I. DuPont DeNemours & Co.

Important Notice

All statements, technical information, and recommendations related to Seller's products are based on information believed to be reliable, but the accuracy or completeness thereof is not guaranteed. Before utilizing the product, the user should determine the suitability of the product for its intended use. The user assumes all risks and liability whatsoever in connection with such use.

Any statements or recommendations of the Seller which are not contained in the Seller's current publications shall have no force or effect unless contained in an agreement signed by an authorized officer of Seller. The statements contained herein are made in lieu of all warranties, expressed or implied, including but not limited to the implied warranties of merchantability and fitness for a particular purpose which warranties are hereby expressly disclaimed.

SELLER SHALL NOT BE LIABLE TO THE USER OR ANY OTHER PERSON UNDER ANY LEGAL THEORY, INCLUDING BUT NOT LIMITED TO NEGLIGENCE OR STRICT LIABILITY, FOR ANY INJURY OR FOR ANY DIRECT, INDIRECT, INCIDENTAL OR CONSEQUENTIAL DAMAGES SUSTAINED OR INCURRED BY REASON OF THE USE OF ANY OF THE SELLER'S PRODUCTS.



Telecom Systems Division

6801 River Place Blvd.
Austin, TX 78726-9000
800/426 8688
FAX 800/626 0329
<http://www.3M.com/telecom>



40% Pre-consumer waste paper
10% Post-consumer waste paper

Litho in USA.

© 3M 1999 80-6110-1431-9